

# image



## iPro 10E/20E/40E LED Outdoor Gobo Projector

Instruction/User Manual and Specifications



### Package Contents

Projector, optical lens and cable with standard 110 Volt plug.

### Description

iPro “E” LED projectors are rated IP-65 for outdoor use. To project an image, a high resolution glass, metal or plastic/film gobo is required. To order a gobo, e-mail the artwork of the desired image to [Info@UseLight.com](mailto:Info@UseLight.com). Line-art or vector files are acceptable, as are pixel files (e.g. .JPEG, .PNG, .TIFF, .PDF, etc.) 300 dpi or better.

### Safety Information

- For indoor or outdoor use.
- Prevent direct eye exposure to the light source as it may lead to injury or blindness.
- Please use caution when handling or touching the unit during and after operation, as it may heat up.
- Only use power sources that comply with local electrical and building codes and have proper grounding.

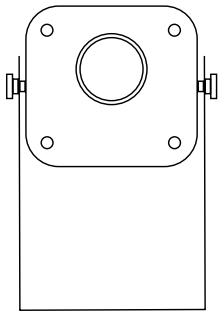
### Gobo Specifications

- Outer diameter (OD) - 37.5 mm
- Inner or image diameter (ID) - 25 mm
- Gobo thickness: Up to 3 mm

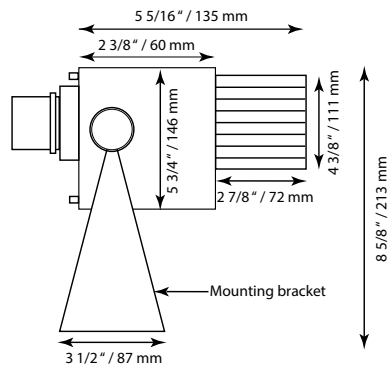
## Projector Specifications

Model:	iPro-10E	iPro-20E	iPro-40E
Voltage:	110 to 277 V*	110 to 277 V*	110 to 277 V*
Lamp (LED):	10 W	20 W	40 W
Rated Frequency:	50/60 Hz	50/60 Hz	50/60 Hz
LED Life Expectancy:	30 - 40,000 Hrs	30 - 40,000 Hrs	30 - 40,000 Hrs
Color Temperature (Kelvin):	6,000 - 6,500 K	6,000 - 6,500 K	6,000 - 6,500 K
Luminous flux:	900 lm	1,800 lm	3,600 lm
Weight:	6 lbs.	6 lbs.	7 lbs.

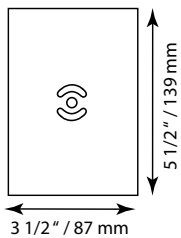
\* US only - 240 V outside of US



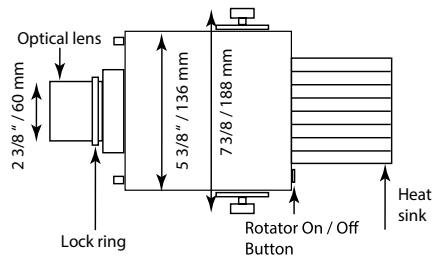
Front View



Side View



Bottom View



Top View

## Warranty

This projector comes with a 1-year warranty that begins on the date of purchase and includes labor and parts.

## Gobo Installation



### Step 1

Unlock the lens lock ring by unscrewing it counter clockwise. Then turn the optical lens counter clockwise until it comes off.



### Step 2

Reach inside the projector and remove the metal pressure clip by squeezing together the two bent ends.

**WARNING: PLEASE USE CAUTION WHEN REMOVING OR INSTALLING THE PRESSURE CLIP, AS IT MAY SPRING OR JUMP OUT UNEXPECTEDLY.**



### Step 3

Place the gobo with image facing down (reversed) in the gobo slot.



### Step 4

Place the metal pressure clip on top of the gobo and make sure it is pressing against the gobo evenly.



# Adjusting the Image Focus

Once the gobo is successfully installed and the front plate cover is reattached, rotate the lens clockwise or counter-clockwise until the image is in focus.



Once the image is in focus, turn the lock ring clockwise until the rubber gasket is slightly compressed.

# Turning Rotating Effect ON/OFF

Press the button located on the back of the projector to turn the rotator ON or OFF.



image

